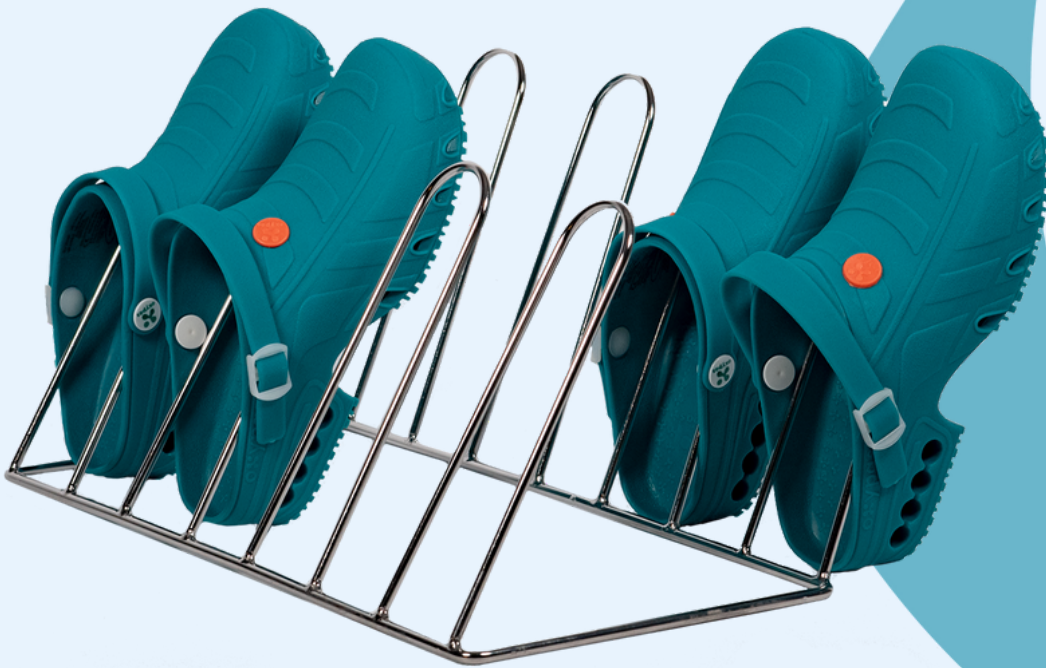


PRODUCT CATALOGUE

DEKO Racks and Accessories

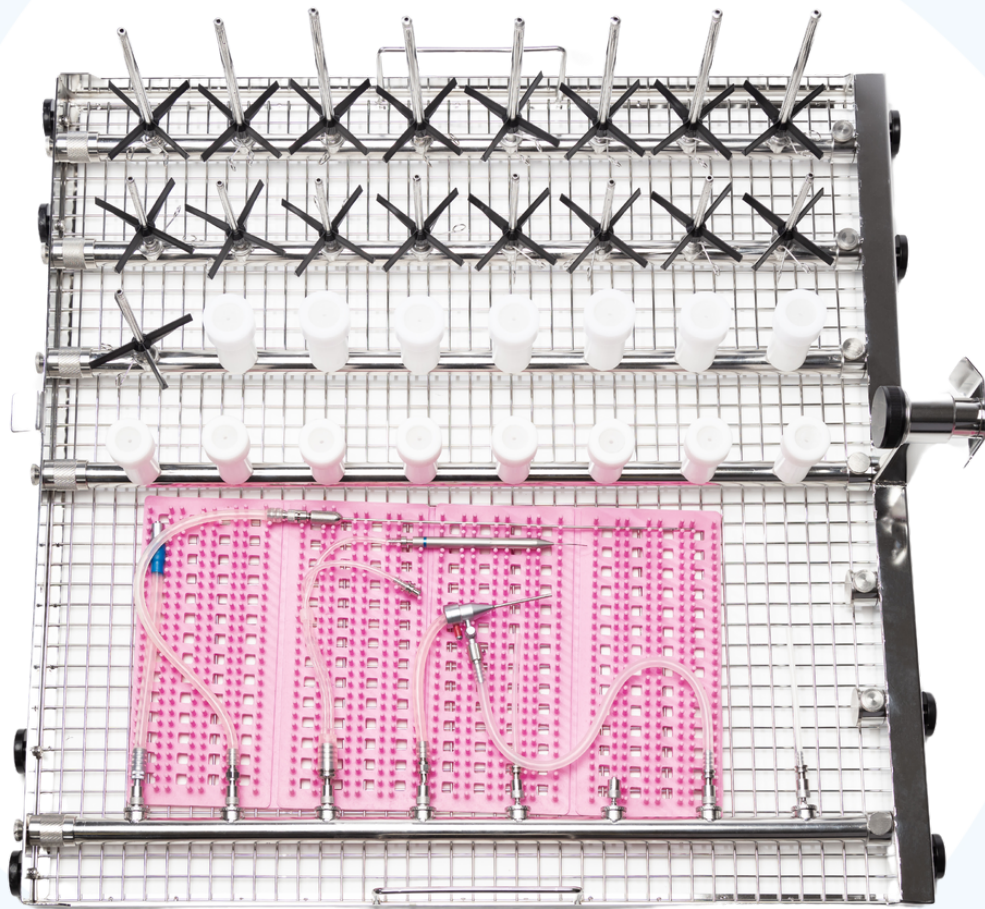


Preventing infections since 1976.

DEKO
MEDTECH

DEKO Racks and Accessories

Ultimate solutions for washing and disinfection



Reference set-up of Modular Rack for DEKO 2000 / DEKO D32 N

Contents

Racks and inserts - DEKO 190	4
Racks and inserts - DEKO 25	6
Racks and inserts - DEKO 260	8
Racks and inserts - DEKO 2000 / DEKO D32N	11
Racks and inserts - DEKO D32C / D32B	16
Inserts and accessories - DC2200 GT	20
Rack accessories	22
Rack accessories - Modular racks	28
Universal baskets and inserts	34
Spares	40

Racks and inserts - DEKO 190

Selection of racks and inserts for optimized washing and disinfection of different utensils in DEKO 190 models.



Utensil basket with lid

340x250x200 mm

Removable and adjustable lid

Product code

242.1001.059



Insert for kidney dishes

Capacity 4 kidney dishes

Product code

242.0664.149



Insert for solution bottles

Capacity 4 bottles

Incl. basket for bottle caps

Product code

242.1002.127



Shoe rack

Capacity 4 pairs

Product code

242.1002.120

Racks and inserts - DEKO 190



Peg rack

Fits inside utensil basket
210 x 310 mm

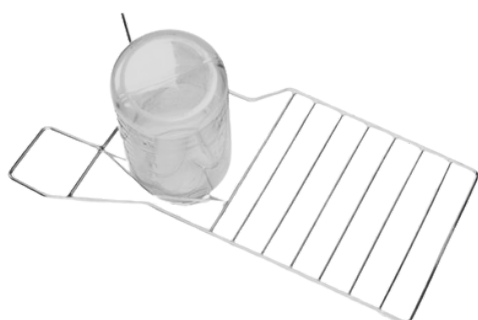
Product code
242.1001.109



Insert for urine bottles

Capacity 4 bottles
Total capacity 8 bottles

Product code
242.1002.121



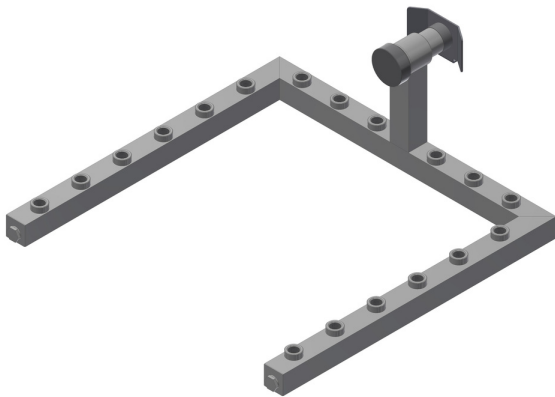
Suction bottle rack

Tailored according to bottle size

Product code
242.1002.126

Racks and inserts - DEKO 25

Selection of racks for optimized washing of different instruments in DEKO 25 instrument washer-disinfector.



Multipurpose frame

Combine rack accessories, see p. 18->
Capacity 18 instruments

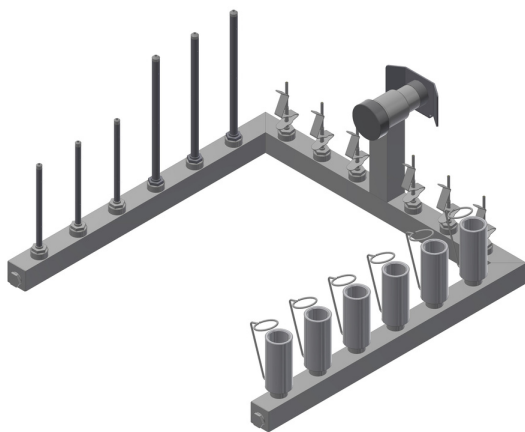
Product code
242.0682.035



Rack for AN-instruments

Inserts for hoses, masks, bottles

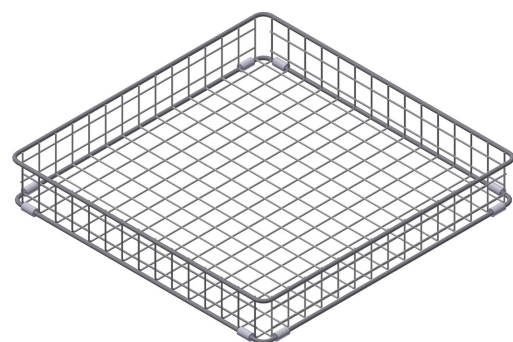
Product code
242.1002.073



Rack for dental instruments

Compliment with a tray support
(see Universal baskets and inserts)

Product code
242.1002.067

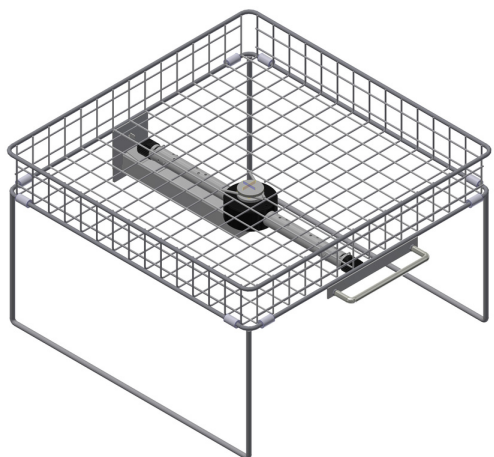


Base basket

Size 387x387x86 mm

Product code
242.1001.099

Racks and inserts - DEKO 25



Top wash basket

Incl. wash arm

Product code
242.1002.048

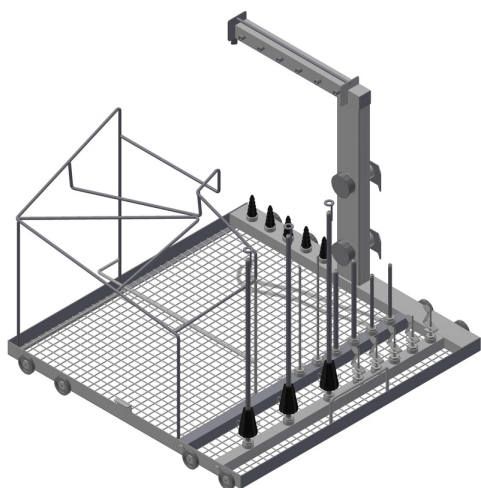


Base basket for lab equipment

Product code
242.1002.050

Racks and inserts - DEKO 260

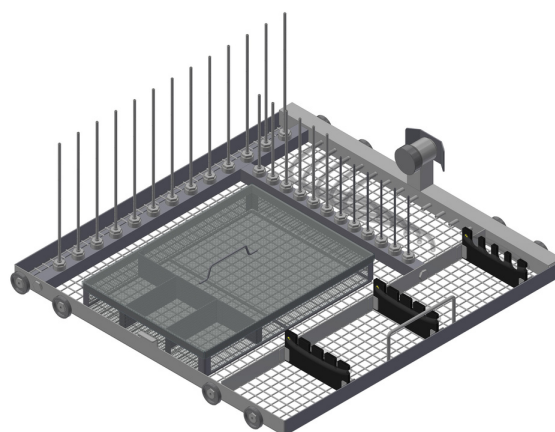
Selection of racks for optimized washing of different instruments in DEKO 260 instrument washer-disinfector.



Rack for AN-instruments

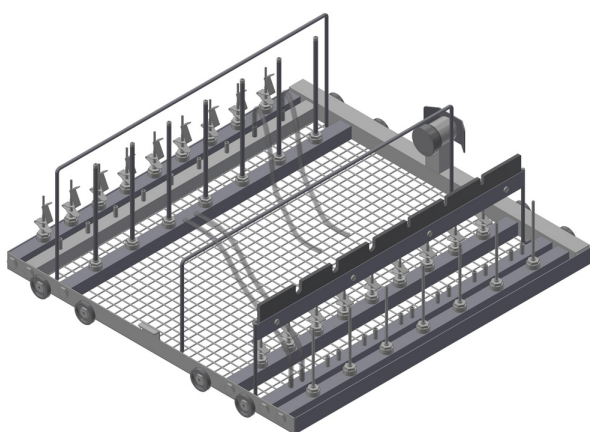
Inserts for hoses, masks, bottles

Product code
242.1002.140



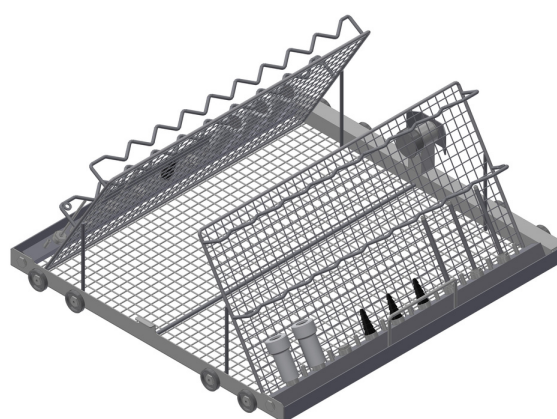
Rack for rigid scopes

Product code
242.1002.141



Rack for laparoscopes

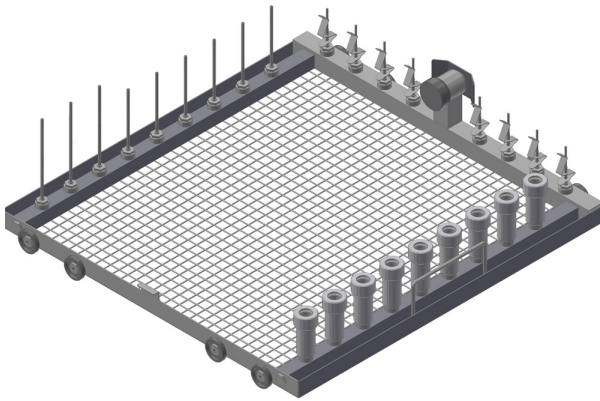
Product code
242.1002.142



Rack for MIS-instruments

Product code
242.1002.147

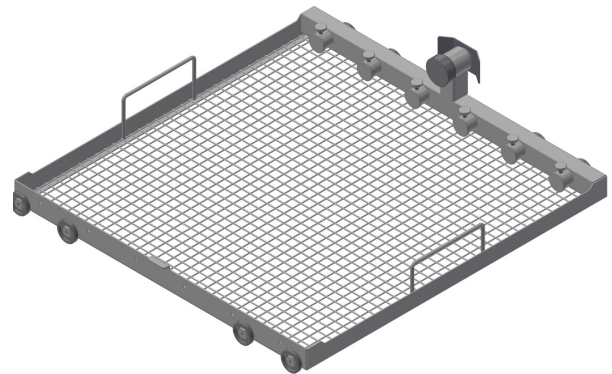
Racks and inserts - DEKO 260



Rack for dental instruments

Compliment with a tray support
(see Universal baskets and inserts)

Product code
242.0634.771



Modular rack base **NEW!**

Customizable to varied washing needs
Branches and washing accessories sold separately.
Max. 6 branches / max. 42 accessories.

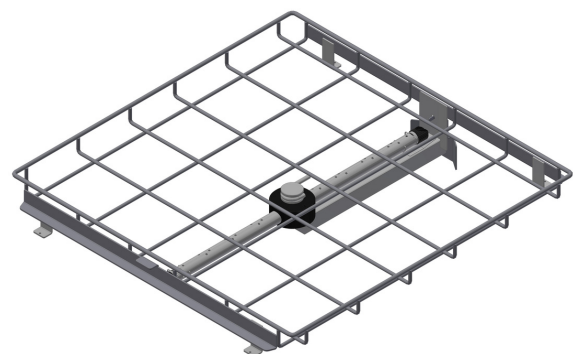
Product code
3600001786



Shoe rack

Capacity 7 pairs

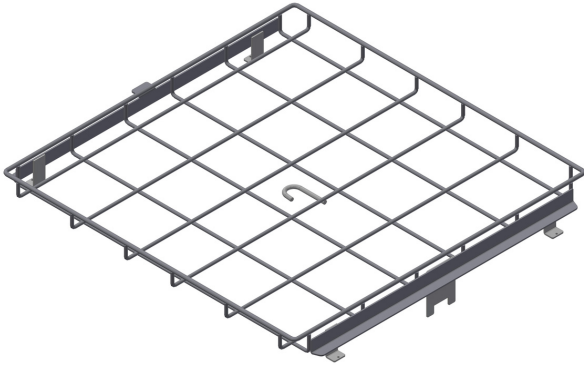
Product code
242.0512.347



Middle shelf for instruments incl. wash arm

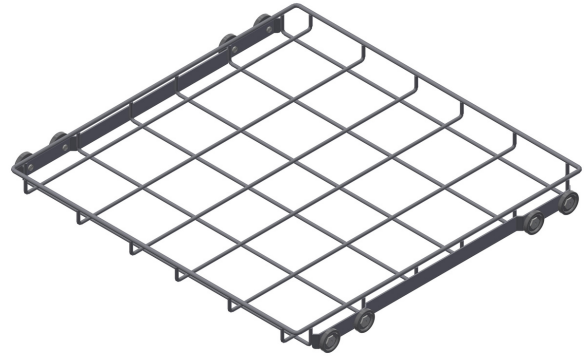
Product code
242.1002.136

Racks and inserts - DEKO 260



Middle shelf for instruments w/o wash arm

Product code
991.0499.771



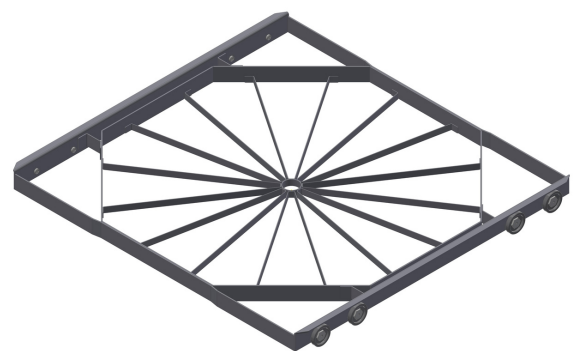
Cart, hospital
For bottom level

Product code
242.1002.137



Middle shelf for laboratory equipment, incl. wash arm

Product code
242.1002.134

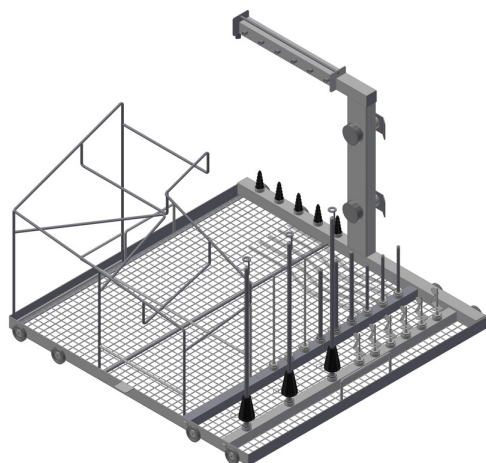


Cart, lab
For bottom level

Product code
242.1002.135

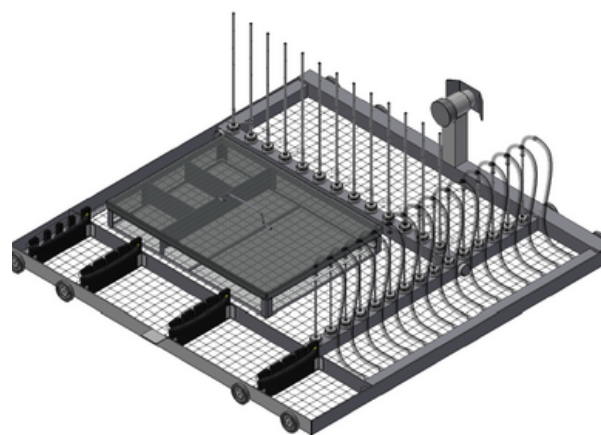
Racks and inserts - DEKO 2000 / D32N

Selection of racks for optimized washing of different instruments in DEKO 2000 and D32N instrument washer-disinfectors.



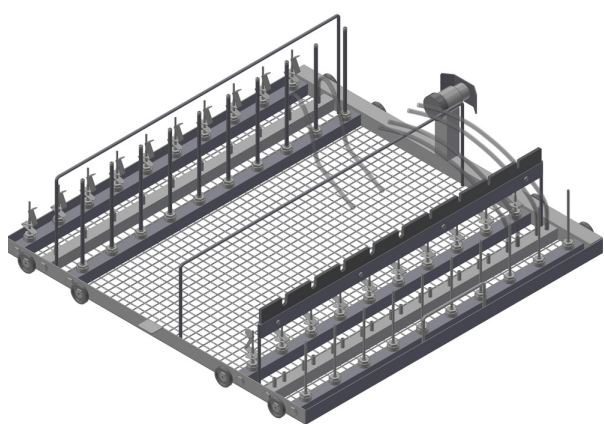
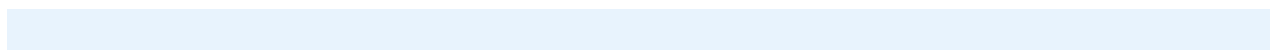
Rack for AN-instruments

Product code
242.1002.178



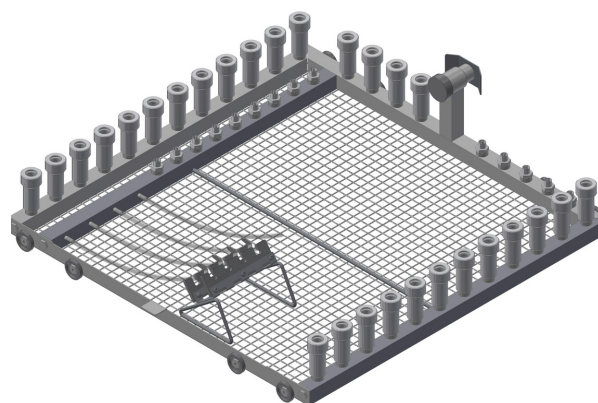
Rack for rigid scopes

Product code
242.1002.181



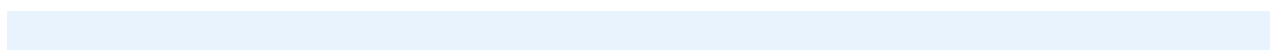
Rack for laparoscopes

Product code
242.1002.182

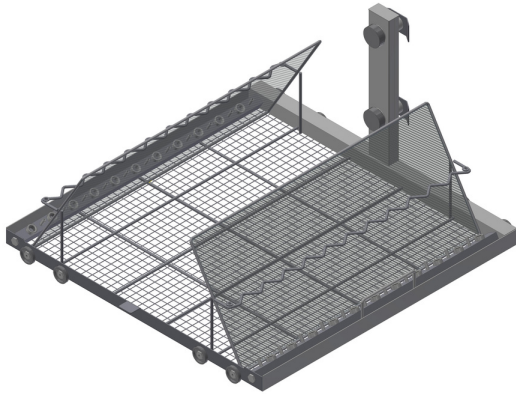


Rack for ophthalmic instruments

Product code
242.1002.186

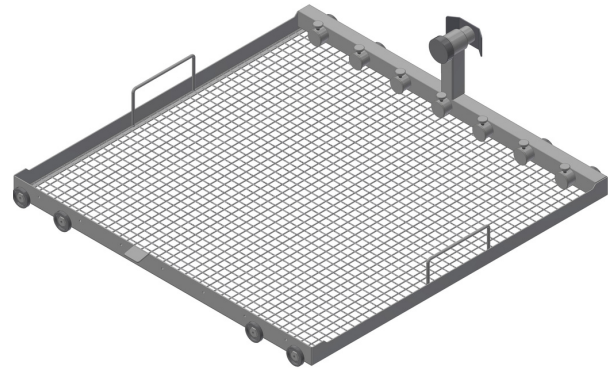


Racks and inserts - DEKO 2000 / D32N



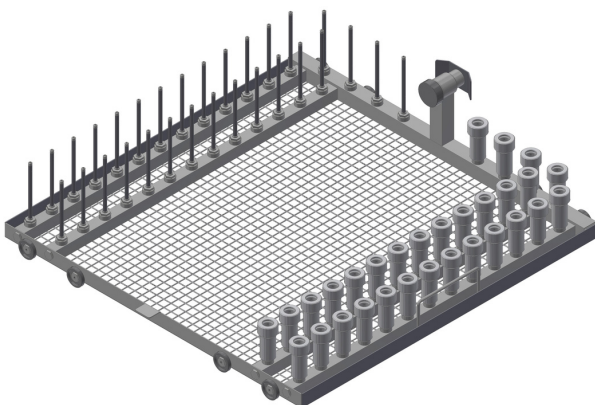
Rack for MIS-instruments

Product code
991.0509.459



Modular rack base **NEW!**

Customizable to varied washing needs
Branches and washing accessories sold separately.
Max. 7 branches / max. 56 accessories.
Product code
242.0688.024



Rack for dental instruments

Compliment with a tray support
(see Universal baskets and inserts)

Product code
242.0658.652

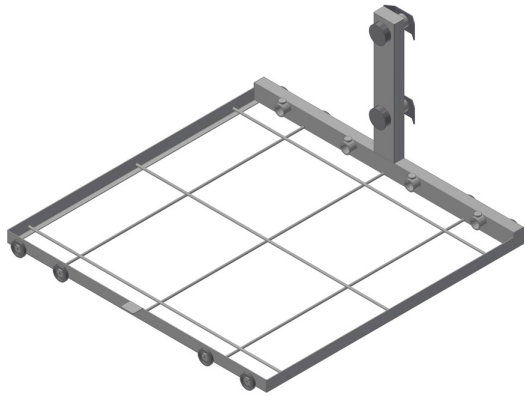


Shoe rack

Capacity 14 pairs

Product code
242.1002.107

Racks and inserts - DEKO 2000 / D32N



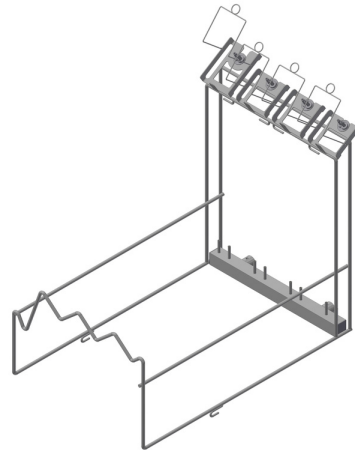
da Vinci Modular base

D2000/D32N

Capacity 2 da Vinci / CRM modules

Product code

242.0618.483



da Vinci Xi Module with stapler

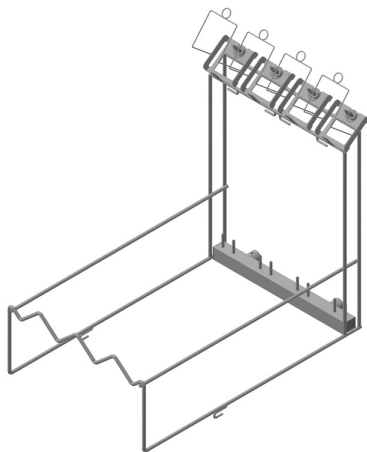
D2000/D32N

Capacity 4 instruments

Used with 242.0618.483

Product code

242.0618.513



da Vinci Xi Module w/o stapler

D2000/D32N

Capacity 4 instruments

Used with 242.0618.483

Product code

242.0618.460



Xi Endoscope tray holder

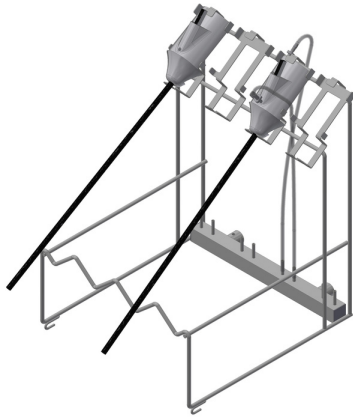
D2000/D32N

Used with 242.0618.483

Product code

242.0618.807

Racks and inserts - DEKO 2000 / D32N

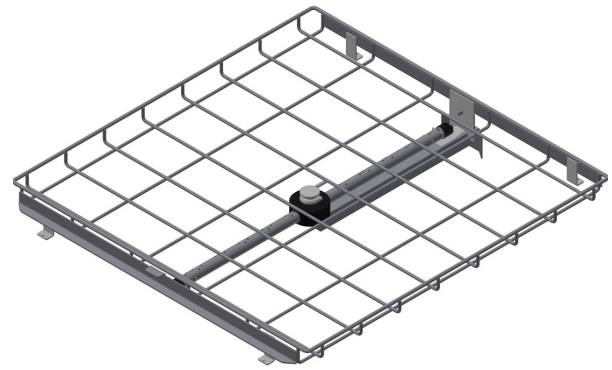


CMR Versius Module D2000/D32N

For CMR Versius Robotic arms,
capacity 4 arms

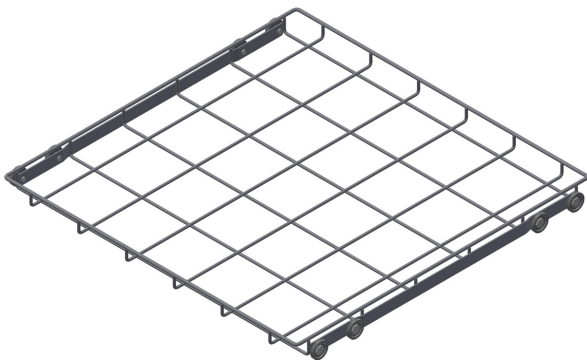
Used with 242.0618.483

Product code
3600008342



Middle shelf for instruments incl. wash arm

Product code
991.0921.666



Cart, hospital

For bottom level

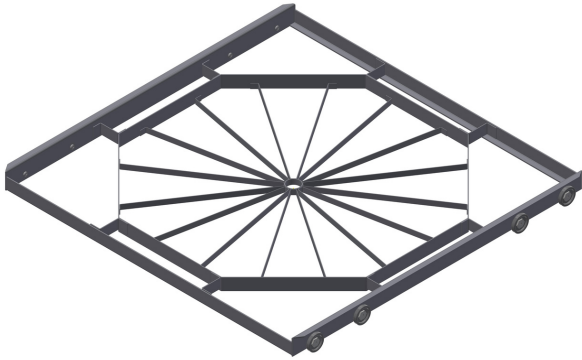
Product code
242.1002.168



Middle shelf for laboratory equipment, incl. wash arm

Product code
242.1002.169

Racks and inserts - DEKO 2000 / D32N



Cart, lab

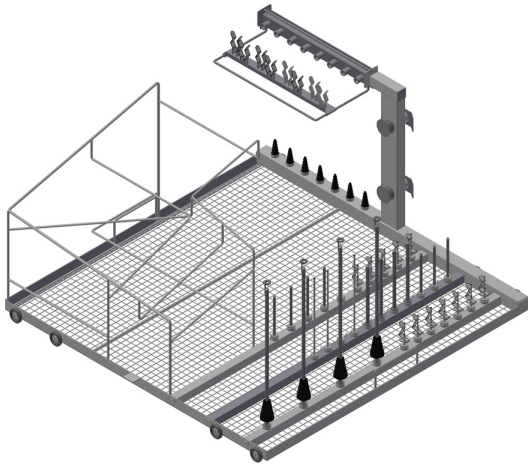
For bottom level

Product code

242.1002.170

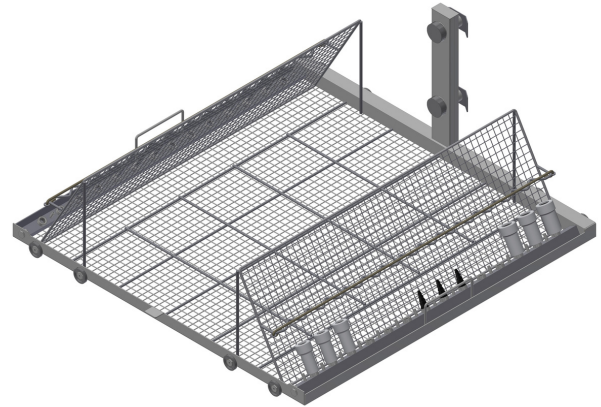
Racks and inserts - DEKO D32C / D32B

Selection of racks for optimized washing of different instruments in D32C instrument washer-disinfector..



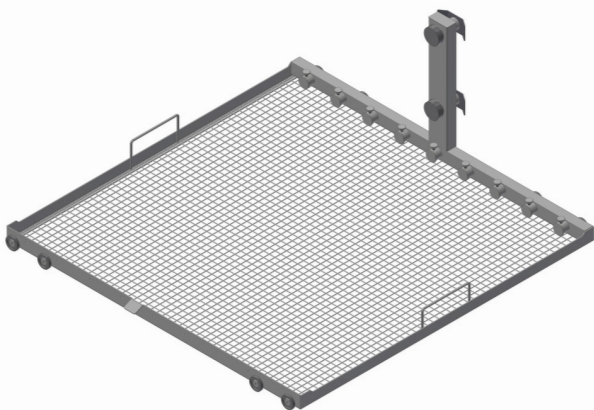
Rack for AN-instruments

Product code
242.1002.105



Rack for MIS-instruments

Product code
991.0509.590



Modular rack base **NEW!**

Customizable to varied washing needs
Branches and washing accessories sold separately.
Max. 9 branches / max. 90 accessories.

Product code
3600001869

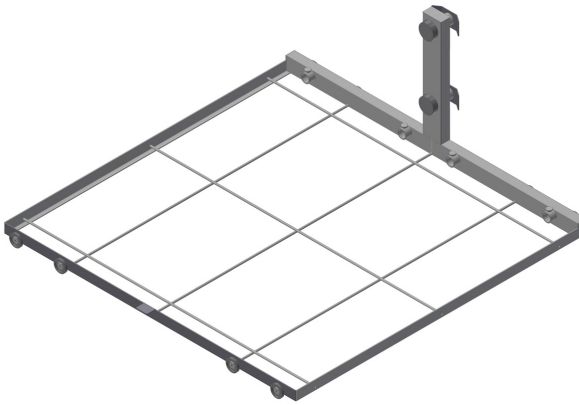


Shoe rack

Capacity 14 pairs

Product code
242.1002.107

Racks and inserts - DEKO D32C / D32B

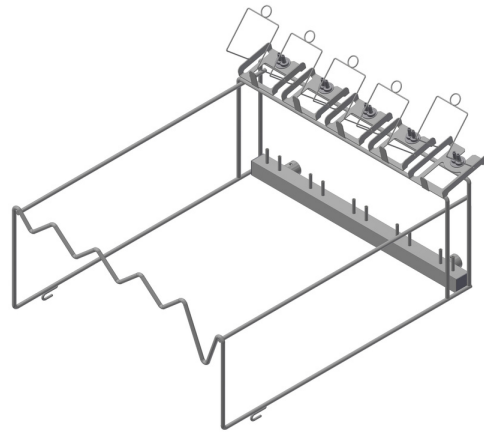


da Vinci Modular base

D32C

Capacity 2 da Vinci /CMR modules

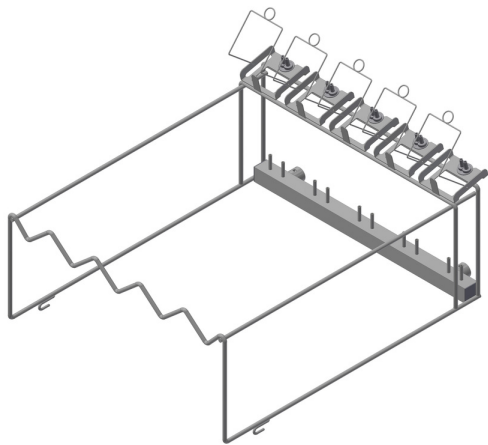
Product code
242.0590.806



da Vinci Xi Module with stapler

Used with 242.0590.806

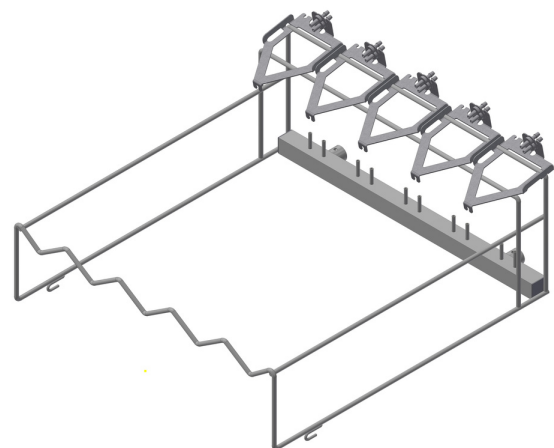
Product code
242.0597.465



da Vinci Xi Module w/o stapler

Used with 242.0590.806

Product code
242.0597.743

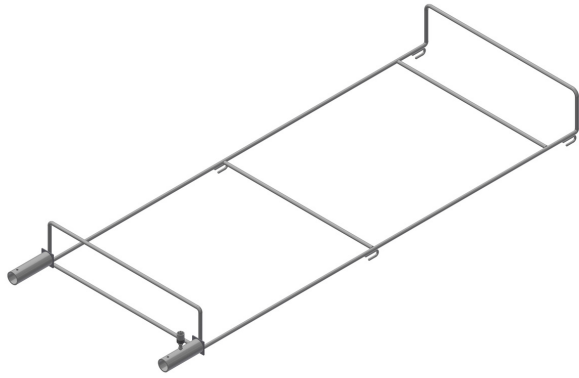


da Vinci Si Module

Used with 242.0590.806

Product code
242.0597.630

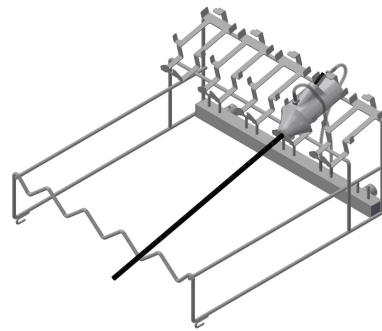
Racks and inserts - DEKO D32C / D32B



Xi Endoscope tray holder

Used with 242.0590.806

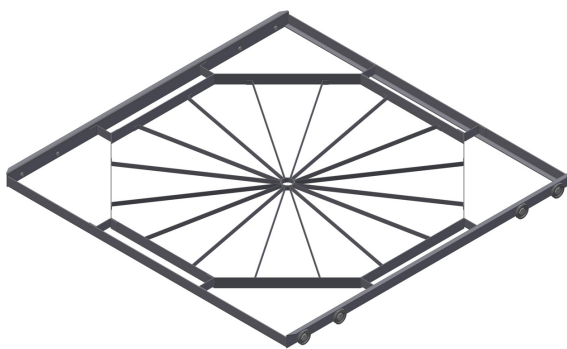
Product code
242.0601.761



CMR Versius Module D32C

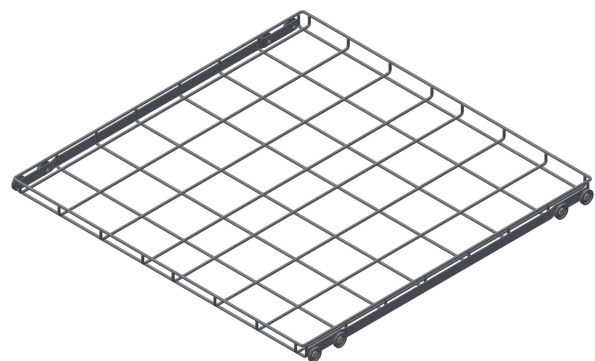
For CMR Versius Robotic arms,
capacity 4 arms

Used with 242.0590.806
Product code
3600008211



Middle shelf for instruments incl. wash arm

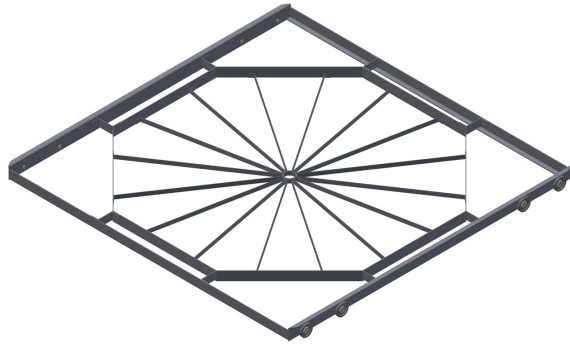
Product code
991.0509.313



Cart, hospital

Product code
991.0509.400

Racks and inserts - DEKO D32C / D32B

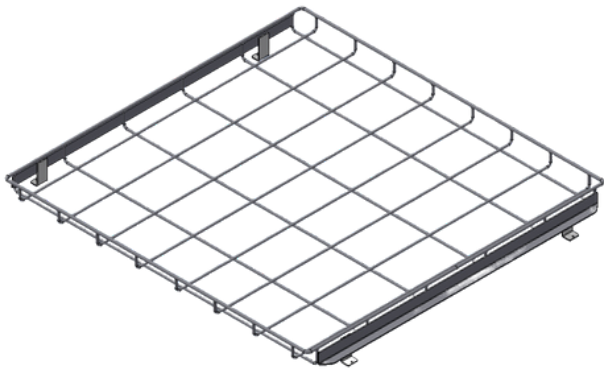


Cart, lab

Product code
991.0509.804

Inserts and accessories- DC2200 GT

Selection of drying cabinets inserts.



Wire shelf, full-width

Product code
991.0509.203



Wire shelf, partial-width

Compatible with anaesthetic insert set

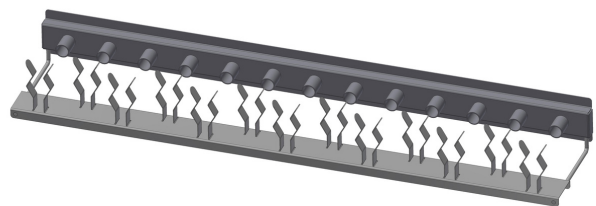
Product code
991.0500.210



Pair of shelf rails

1x left + 1x right shelf rail

Product code
242.0523.741



Cassette for 13 AN hoses

Hose diameter > 15mm

Product code
991.0510.068

Inserts and accessories- DC2200 GT



Cassette for 7 respiration bags

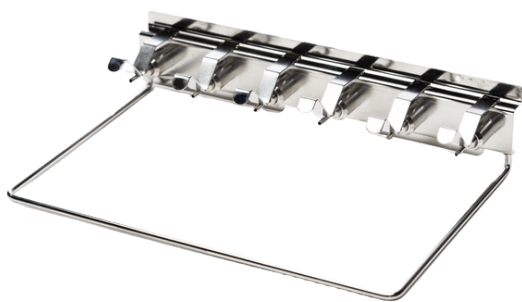
Product code
991.0510.069



Cassette for 6 AN hoses

Hose diameter > 15mm

Product code
242.1002.212



Cassette for 6 suction hoses

Hose diameter > 5mm

Product code
242.1002.213

Racks accessories

A wide variety of accessories to tailor, fix and diversify racks to meet all your needs.



Spray jet Ø 3-100

Product code
991.0509.295



● **Spray jet Ø 4-60**

Product code
991.0509.821



● **Spray jet Ø 4-95**

Product code
991.0509.509



Spray jet Ø 4-125

Product code
991.0509.498



● **Spray jet Ø 4-200**

Product code
991.0509.517



● **Spray jet Ø 6-15**

Product code
242.0682.624



Spray jet Ø 6-55

Product code
991.0512.395



● **Spray jet Ø 6-100**

Product code
991.0509.501



● **Spray jet Ø 6-150**

Product code
991.0509.527

Compatibility

● Standard rack

● Modular rack

Racks accessories

A wide variety of accessories to tailor, fix and diversify racks to meet all your needs.



Spray jet Ø 6-200

Product code



● **Spray jet Ø 8-150**

Product code
242.0512.343



● **Spray jet Ø 8-200**

Product code
242.0512.344



Spray jet Ø 8-215 for respiratory devices

Product code
242.0682.627



● **Spray jet Ø 8-295**

Product code
242.0512.345



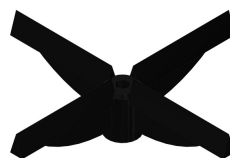
● **Spray jet Ø 8-350**

Product code
991.0509.296



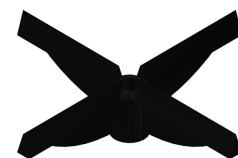
Spray jet Ø 8-350 for respiratory devices

Product code
3600005775



● **Bottle rest for Ø 4 mm jet**

Product code
991.0500.054

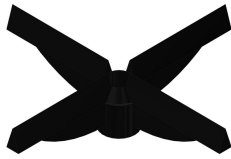


● ● **Bottle rest for Ø 6 mm jet**

Product code
991.0500.055

Racks accessories

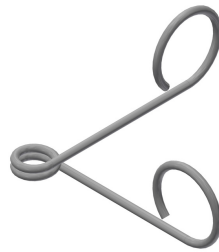
A wide variety of accessories to tailor, fix and diversify racks to meet all your needs.



Bottle rest for Ø 8 mm jet

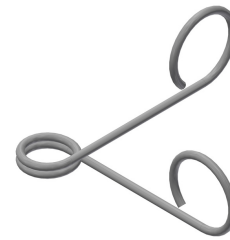


Product code
991.0509.259



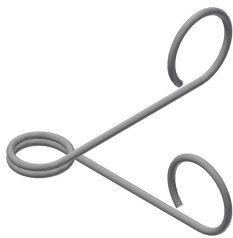
**Height adjustment spring
Ø 4 mm**

Product code
991.0499.784



**Height adjustment spring
Ø 6 mm**

Product code
991.0499.783



**Height adjustment spring
Ø 8 mm**

Product code
991.0499.782



**Bottle support for
Ø 4 mm jet, h. 120 mm**

Product code
242.1002.079



**Bottle support for
Ø 6 mm jet, h. 120 mm**

Product code
242.1002.080



**Bottle support for
Ø 8 mm jet, h. 180 mm**

Product code
242.1002.081



Retainer clip for Ø 4 mm jet

Product code
991.0664.099



Retainer clip for Ø 6 mm jet

Product code
991.0664.167

Racks accessories

A wide variety of accessories to tailor, fix and diversify racks to meet all your needs.



Retainer clip for Ø 8 mm jet



Product code
991.0664.168



Instrument holder set G3/4"

Incl. holder body, stopper, silicone gasket

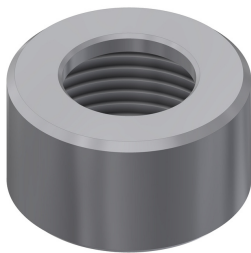
Product code
242.1002.078



Instrument holder body G3/4"



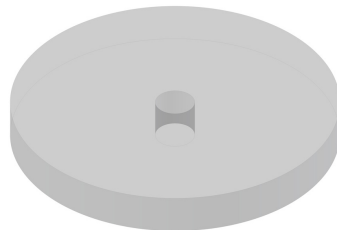
Product code
991.0499.715



Instrument holder stopper G3/4"



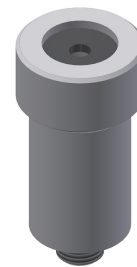
Product code
991.0499.713



Silicone gasket for instrum. holder G3/4"

Opening 3mm

Product code
991.0523.815



Instrument holder set G7/8"



Incl. holder body, stopper, silicone gasket

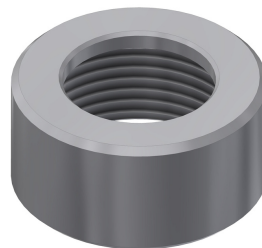
Product code
991.0512.394



Instrument holder body G7/8"



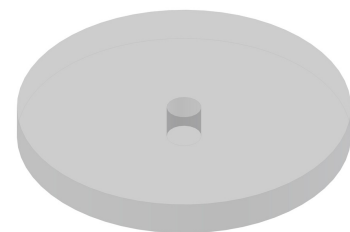
Product code
991.0509.216



Instrument holder stopper G7/8"



Product code
991.0499.714



Silicone gasket for instrum. holder G7/8"

Opening 3mm

Product code
991.0523.816

Compatibility

● Standard rack ● Modular rack

Racks accessories

A wide variety of accessories to tailor, fix and diversify racks to meet all your needs.



Funnel for pipettes Ø25 mm G1/4"

Product code
991.0500.181



● **Funnel for dental instruments G1/4"**

Product code
991.0500.041



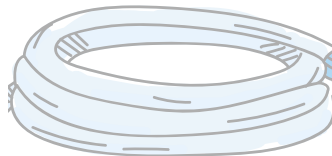
● **Spring for dental instr. funnel** ● ●

Product code
991.0509.217



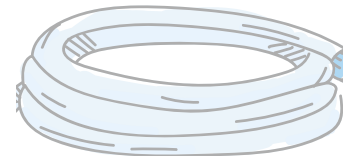
Cone for hoses G1/4"

Product code
991.0499.763



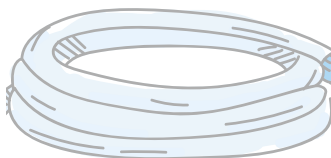
Silicone hose Ø4/7
Minimum order 1 m

Product code
991.0500.139



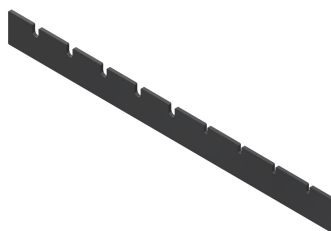
Silicone hose Ø17/24
Minimum order 1 m

Product code
991.0500.138



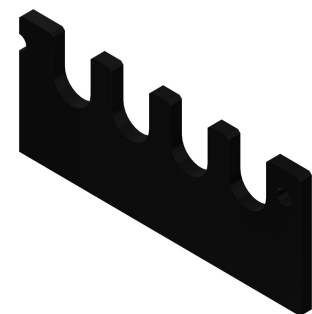
Silicone hose Ø22/28
Minimum order 1 m

Product code
991.0637.051



Scope support
Length 600mm for Ø11 instr.

Product code
991.0500.147



Scope support
Length. 120mm for max. Ø16mm instr.

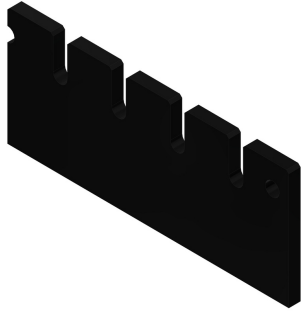
Product code
991.0500.063

Compatibility

● Standard rack ● Modular rack

Racks accessories

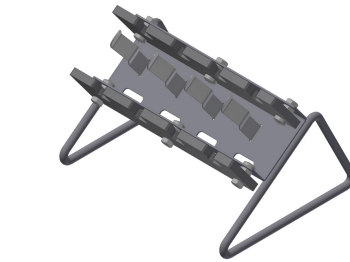
A wide variety of accessories to tailor, fix and diversify racks to meet all your needs.



Scope support

Length: 120mm for max. Ø6mm instr.

Product code
991.0500.064



Cassette for needles

For ophthalmic instruments

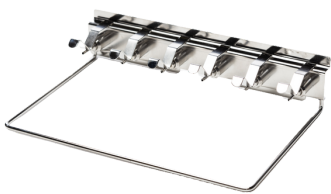
Product code
242.0677.467



Cassette for an-hoses

Capacity 6 pcs

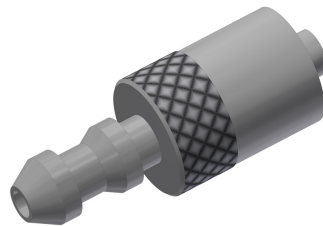
Product code
242.1002.212



Cassette for suction hoses

Capacity 6 pcs

Product code
242.1002.213



Male luer lock to barb 5,5mm

Attaches to silicone hose

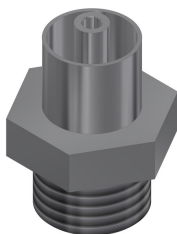
Product code
3600006868



Female luer lock to barb 6mm

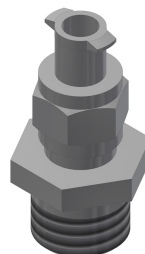
Attaches to silicone hose

Product code
991.0595.035



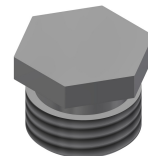
Male luer lock w/ G1/4" thread

Product code
991.0509.191



Female luer lock w/ G1/4" thread

Product code
242.0682.628



Plug G1/4"

for plugging washing accessories couplings

Product code
991.0509.237



Racks accessories - Modular racks

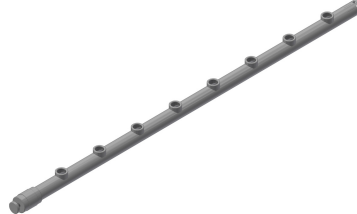
A wide variety of accessories for customizing modular racks.



● **Branch for Modular rack
DEKO 260**

Capacity 7 washing accessories/
branch

Product code
3600001768



● **Branch for Modular rack
DEKO 2000 / D32N**

Capacity 8 washing accessories/
branch

Product code
242.0688.025



● **Branch for Modular rack
DEKO D32C**

Capacity 10 washing accessories/
branch

Product code
3600001870



● **Spray jet Ø3x100**
w/ M12 thread

Product code
242.0686.706



● **Spray jet Ø4x60**
w/ M12 thread

Product code
242.0686.707



● **Spray jet Ø4x95**
w/ M12 thread

Product code
242.0686.708



● **Spray jet Ø4x125**
w/ M12 thread

Product code
242.0686.709



● **Spray jet Ø4x125**
w/ M12 thread

Product code
242.0686.710



● **Spray jet Ø6x15**
w/ M12 thread

Product code
242.0688.023

Compatibility

● Standard rack

● Modular rack

Racks accessories - Modular racks

A wide variety of accessories for customizing modular racks.



Spray jet Ø6x55
w/ M12 thread

Product code
242.0687.547



● **Spray jet Ø6x100**
w/ M12 thread

Product code
242.0686.831



● **Spray jet Ø6x150**
w/ M12 thread

Product code
242.0686.832



Spray jet Ø6x200
w/ M12 thread

Product code



● **Spray jet Ø8x150**
w/ M12 thread

Product code
242.0686.833



● **Spray jet Ø8x200**
w/ M12 thread

Product code
242.0686.835



Spray jet Ø8x295
w/ M12 thread

Product code
242.0686.838



● **Spray jet Ø8x350**
w/ M12 thread

Product code
242.0686.839

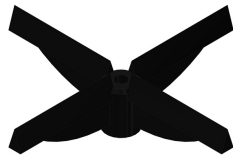


● **Spray jet for respiratory devices Ø8x350**
w/ M12 thread

Product code
3600003096

Racks accessories - Modular racks

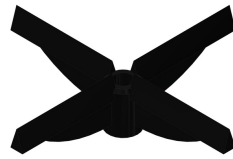
A wide variety of accessories for customizing modular racks.



Bottle rest for Ø 4 mm jet



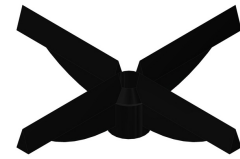
Product code
991.0500.054



Bottle rest for Ø 6 mm jet



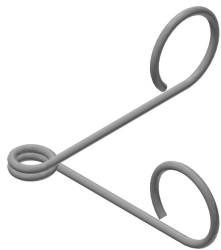
Product code
991.0500.055



Bottle rest for Ø 8 mm jet



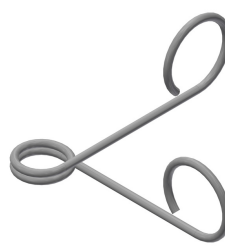
Product code
991.0509.259



**Height adjustment spring
Ø 4 mm**



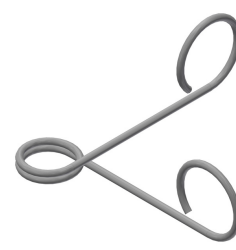
Product code
991.0499.784



**Height adjustment spring
Ø 6 mm**



Product code
991.0499.783



**Height adjustment spring
Ø 8 mm**



Product code
991.0499.782



**Bottle support for
Ø 4 mm jet, h. 120 mm**



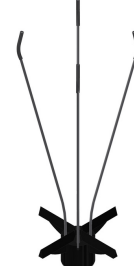
Product code
242.1002.079



**Bottle support for
Ø 6 mm jet, h. 120 mm**



Product code
242.1002.080



**Bottle support for
Ø 8 mm jet, h. 180 mm**



Product code
242.1002.081

Compatibility

● Standard rack

● Modular rack

Racks accessories - Modular racks

A wide variety of accessories for customizing modular racks.



Retainer clip for Ø 4 mm jet ● ●

Product code
991.0664.099



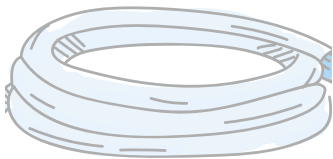
Retainer clip for Ø 6 mm jet ● ●

Product code
991.0664.167



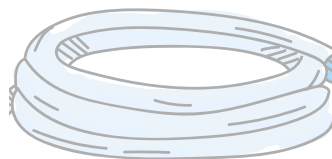
Retainer clip for Ø 8 mm jet ● ●

Product code
991.0664.168



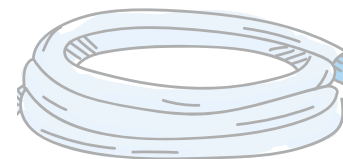
Silicone hose Ø4/7 ● ●

Product code
991.0500.139



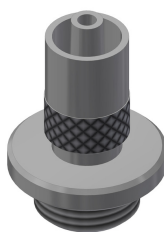
Silicone hose Ø17/24 ● ●
Minimum order 1 m

Product code
991.0500.138



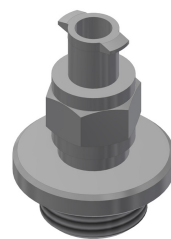
Silicone hose Ø22/28 ● ●
Minimum order 1 m

Product code
991.0637.051



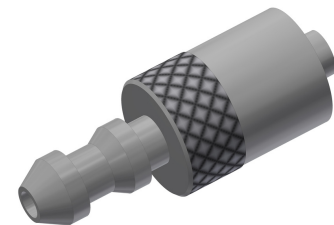
Male luer lock ● ●
w/ M12 thread

Product code
3600007359



Female luer lock ● ●
w/ M12 thread

Product code
3600007344



Male luer lock to barb 5,5mm ● ●
Attaches to silicone hose

Product code
3600006868

Compatibility

- Standard rack
- Modular rack

Racks accessories - Modular racks

A wide variety of accessories for customizing modular racks.



Female luer lock to barb 6mm

Attaches to silicone hose

Product code
991.0595.035



Instrument holder set G3/4

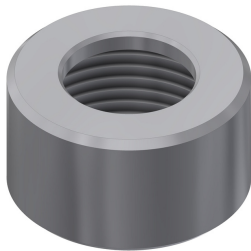
Incl. holder body, stopper, silicone gasket
w/ M12 thread
Product code
242.0687.199



Instrument holder body G3/4"

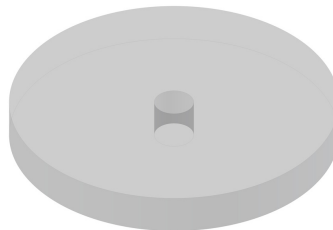
w/ M12 thread

Product code
991.0686.952



Instrument holder stopper G3/4"

Product code
991.0499.713



Silicone gasket for instrum. holder G3/4"

Opening 3mm

Product code
991.0523.815



Instrument holder set G7/8"

Incl. holder body, stopper, silicone gasket
w/ M12 thread

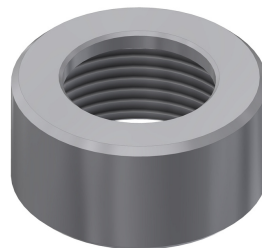
Product code
242.0687.200



Instrument holder body G7/8"

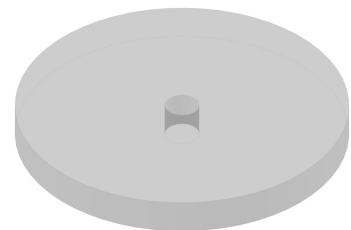
w/ M12 thread

Product code
991.0686.954



Instrument holder stopper G7/8"

Product code
991.0499.714



Silicone gasket for instrum. holder G7/8"

Opening 3mm

Product code
991.0523.816

Compatibility

● Standard rack

● Modular rack

Racks accessories - Modular racks

A wide variety of accessories for customizing modular racks.



Funnel for dental instruments G1/4"

Product code
991.0686.971



Spring for dental instr. funnel

Product code
991.0509.217



Funnel for pipettes Ø25 w/ M12 thread

Product code
991.0686.972



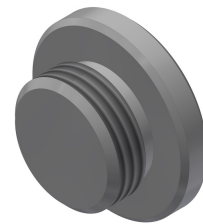
Nozzle tube d=21,3 for hoses

Product code
242.0687.961



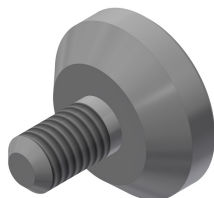
Nozzle tube 18x1 -43 for hoses

Product code
3600001398



Plug G1/4"

w/ M12
For plugging washing accessories couplings on rack branch
Product code
991.0686.871



Fixing screw for plug

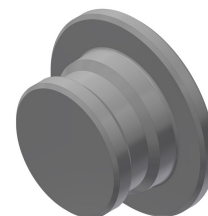
For fastening plugs (991.0686.854 and.853) and nozzle tubes

Product code
991.0686.852



Plug for Ø18 tube

Product code
991.0686.854



Plug for muff

For plugging branch couplings on rack frame

Product code
991.0686.853

Universal baskets and inserts

Selection of universal baskets and dedicated inserts for varied washing needs.



Utensil basket with lid
340 x 250 x 200 mm
Removable and adjustable lid

Product code
242.1002.059



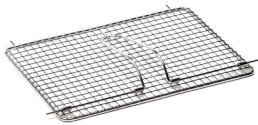
Wire basket
250 x 100 x 70 mm

Product code
242.1001.086



Wire basket
250 x 170 x 70 mm

Product code
242.1001.088



Basket lid
250 x 170 mm

Product code
242.1001.097



Wire basket
340 x 250 x 70 mm

Product code
242.1001.089



Basket lid
w/ M12 thread

Product code
242.1001.096



Wire basket 1/1
450 x 340 x 70 mm

Product code
242.1001.090



Basket lid 1/1
450 x 340 mm

Product code
242.1001.095



Instr. basket w/ end plates
250 x 170 x 70 mm

Product code
242.1002.065

Universal baskets and inserts

Selection of universal baskets and dedicated inserts for varied washing needs.



Instr. basket w/ end plates

340 x 250 x 70 mm

Product code
242.1002.063



Instr. basket w/ end plates

450 x 340 x 70 mm

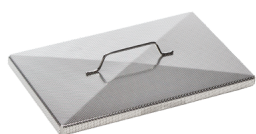
Product code
242.1002.109



Fine mesh wire basket

230 x 150 x 50 mm

Product code
242.1001.119



Fine mesh basket lid

230 x 150 mm

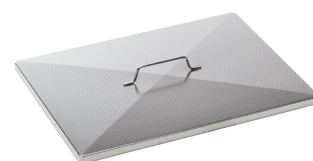
Product code
242.1002.061



Fine mesh wire basket

320 x 230 x 50 mm

Product code
242.1001.121



Fine mesh basket lid

320 x 50 mm

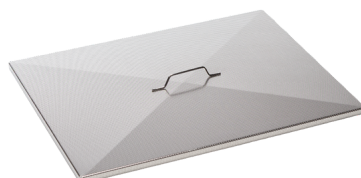
Product code
242.1002.060



Fine mesh wire basket

430 x 320 x 50mm

Product code
242.1001.120



Fine mesh basket lid

430 x 320 mm

Product code
242.1002.102



Small fine mesh box for needles w/ lid

90 x 90 x 50 mm

Product code
991.0500.090

Universal baskets and inserts

Selection of universal baskets and dedicated inserts for varied washing needs.



Peg rack

Fits inside utensil basket
210 x 310 mm

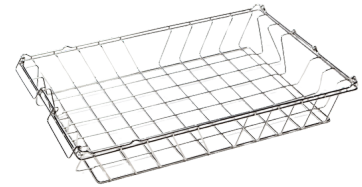
Product code
242.1001.109



Insert for kidney dishes

Capacity 4 kidney dishes

Product code
242.0664.149



Sterilization basket h 100 mm

585 x 395 x 100 mm

Product code
242.1001.114



Sterilization basket

585 x 395 x 195 mm

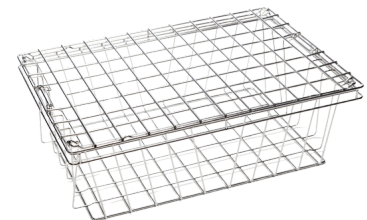
Product code
242.1001.115



Sterilization basket w/ ID plate

585 x 395 x 195 mm

Product code
242.1002.100



Lid for sterilization basket

Product code
242.1001.116



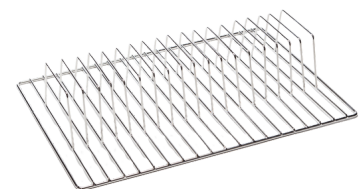
Divider, longitudinal

Product code
242.1002.101



Divider, cross

Product code
242.1001.082



Support for sterilization pouches

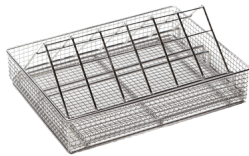
Capacity 20 pouches

Product code
242.1002.099

Universal baskets and inserts

Selection of universal baskets and dedicated inserts for varied washing needs.

OB/GYN



Rack for speculas
Incl. wire basket

Product code
242.1002.077

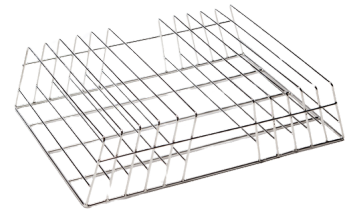
OPTICS



Rack for optics

Product code
242.1002.103

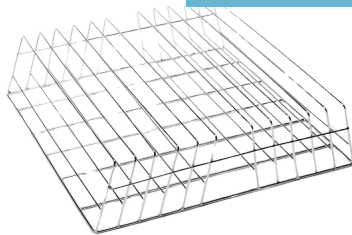
DENTAL



Dental tray rack 1/2, D260

Product code
242.1001.072

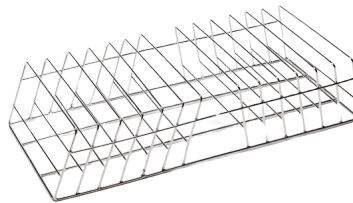
DENTAL



Dental tray rack 1/1, D260

Product code
242.1001.075

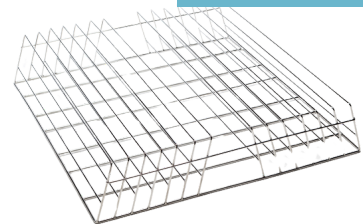
DENTAL



Dental tray rack 1/2, D2000

Product code
242.1001.074

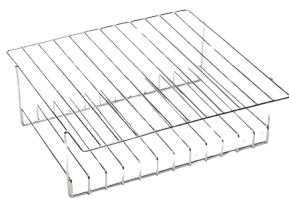
DENTAL



Dental tray rack 1/1, D2000

Product code
242.1001.073

DENTAL



Tray support 370x370 mm

Product code
242.1001.079

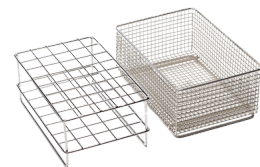
DENTAL



Tray support for 8 trays

Product code
242.1001.080

DENTAL



Mirror compartment

Product code
242.1002.111

Universal baskets and inserts

Selection of universal baskets and dedicated inserts for varied washing needs.

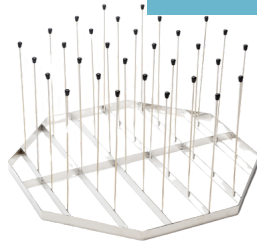
LAB



Insert for culture dishes

Product code
242.1001.105

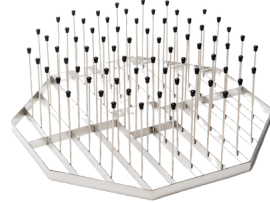
LAB



Peg rack h 250 mm

Product code
242.1001.110

LAB



Peg rack h 150 mm

Product code
242.1001.111

LAB



Sector wire basket h 135 mm

Product code
242.1001.112

LAB



Sector wire basket h 210 mm

Product code
242.1001.113

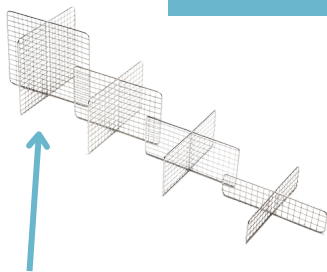
LAB



Lid for sector wire baskets

Product code
242.1001.098

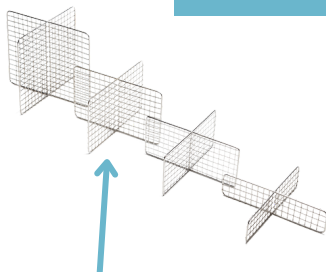
LAB



Divider grid h 180mm

Product code
242.1001.123

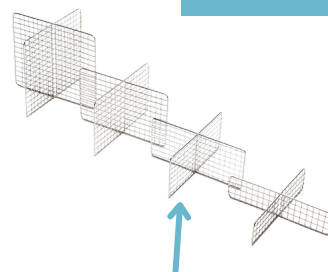
LAB



Divider grid h 115 mm

Product code
242.1001.122

LAB



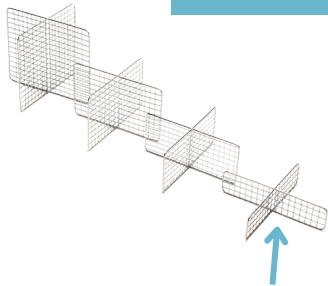
Divider grid h 90 mm

Product code
242.1001.125

Universal baskets and inserts

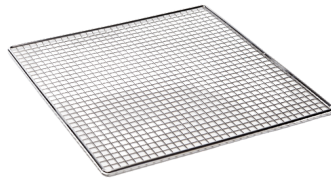
Selection of universal baskets and dedicated inserts for varied washing needs.

LAB



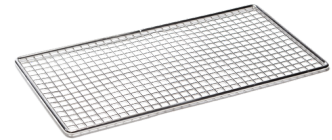
Divider grid h 50 mm

Product code
242.1001.124



Lid 1/1, D260
500 x 500 mm

Product code
242.1002.153



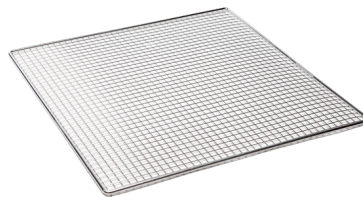
Lid 1/2, D260
250 x 500 mm

Product code
242.1002.154



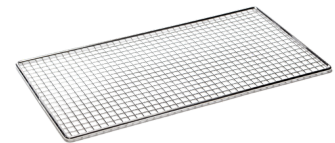
Mesh cover dia 520 mm

Product code
242.1002.155



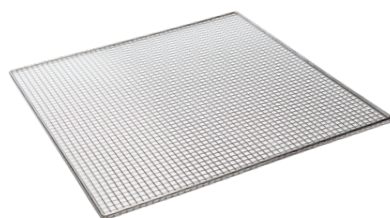
1/1 lid, D2000/D32N
600 x 600 mm

Product code
242.1002.196



1/2 lid, D2000/D32N
600 x 300 mm

Product code
242.1002.197



Lid, D32C/D32B
754 x 754 mm

Product code
242.0528.388

Spares

Rack spares and wash arms

Compatibility

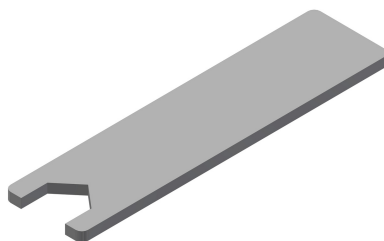
● Standard rack

● Modular rack



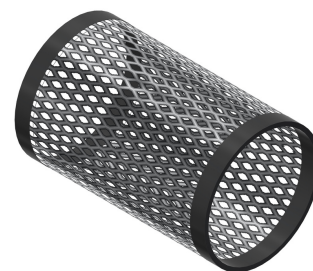
Tension key for spray jets

Product code
242.1002.082



● **Tension key for spray jets, short**

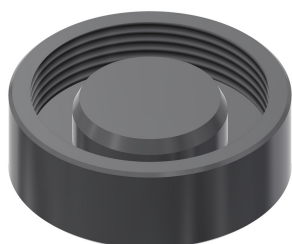
Product code
242.0645.008



● **Filter M35**
60 MESH 0,25 G3/4

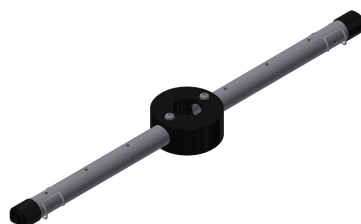
Product code
991.0500.163

● ●



Filter cap
M35x1,5

Product code
991.0597.466



● ● **Instrument wash arm l. 390 mm**
DEKO 25
DEKO 260 top wash arm

Product code
242.1001.107



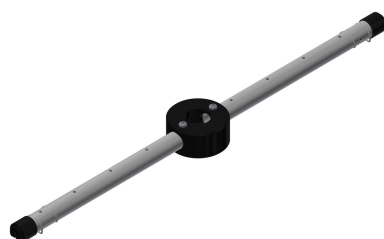
Lab. wash arm l. 390 mm
DEKO 25

Product code
242.1001.100



Lab. wash arm l. 485 mm
DEKO 260 bottom/middle wash arm

Product code
242.1001.101



Instrument wash arm l. 485 mm
DEKO 260 middle wash arm
DEKO 2000 top wash arm
DEKO D32 top wash arm
Product code
242.1001.094



Bottom instrument wash arm l. 580mm
DEKO 2000 bottom wash arm
DEKO D32 bottom wash arm
Product code
242.1001.092

Spares

Rack spares and wash arms



Bottom lab. wash arm

DEKO 2000 bottom/middle wash arm
DEKO D32 bottom/middle wash arm

Product code
242.1001.102



Bottom instrument wash arm

DEKO D32C/D32B
bottom/middle wash arm

Product code
242.1001.093



DEKO D32 C



Preventing infections since 1976.

DEKO MedTech Oy | Vartiokuja 1 | FI-76850 Naarajärvi | Finland
www.dekomedtech.com