



**DEKO**

DEKO 190 | Ward washer-disinfector

**FRANKE**



The DEKO 190 is designed and constructed to meet the standard performance and design requirements stated in ISO EN 15883-1 Washer-disinfectors - Part 1 and Part 3: Requirements and tests for washer-disinfectors employing thermal disinfection for human waste containers.

## UNIQUE SOLUTION

Thanks to the DEKO 190's unique, patented fresh water recirculation principle it has the minimum need for energy and water in relation to the capacity and efficacy of the adjustable process cycles. Also the thermal disinfection of outlet, water tank and pipework in every cycle is of great importance and only available in the DEKO 190.

DEKO 190 is intended for emptying, flushing, cleaning and thermally disinfecting by steam human waste containers intended for re-use such as;

- portable sanitary pans
- supports for single-use bedpans
- hospital wash bowls
- urine bottles
- mop buckets
- suction bottles
- measuring jugs
- and all other reusable products used for similar purposes within patient care

## VERSATILE

DEKO 190 has a large wash chamber and capacity for automatic emptying and processing of 2 bedpans with lids and 4 urine bottles simultaneously. The integrated drop down shelf provides space for 4 hand wash basins or a mop bucket. The shelf can also be utilised as a base to accommodate inserts and washing accessories to process e.g. disposable bedpans' supports, kidney dishes, bowls, raised toilet seats, vases, toilet brushes/holders, as well as, various hollowware. Using optional holders and baskets enables the correct positioning and easy loading of various items, eg; suction jars, & medicine pots, and extends the DEKO 190's capacity and versatility.





DEKO

°C  
Prog  
1 2 3 4 5 6 7 8 9 0  
Start/Stop  
Cancel  
Info

# MICROPROCESSOR CONTROL

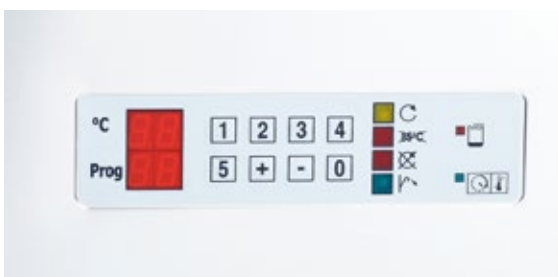
The Deko 190 is controlled by a micro-processor. The display provides clear and informative user and service instructions. To operate the Deko 190 simply select the appropriate pre-programmed cycle and press the button and the control system takes care of the rest. The selected cycle, current cycle phase and chamber temperature, are presented on the easy to read display.

Security is provided by a password system that allows the cycle editing and service level access. The precise control of the Deko 190 saves time, energy and consumables. The process control and independent disinfection temperature monitoring accuracy are compliant with the most stringent requirements of ISO EN 15883-1 & 3 for washer disinfectors.

The intelligent software provides you with advice on service actions.

# SIMPLE AND SAFE

The DEKO 190 's door is locked securely throughout the cycle by an automatic locking system. A green indicator light will advise when the cycle has been completed successfully and the door is unlocked for opening. An optional audible indicator may be added to draw attention to the ending of the cycle.



# POWERFUL PROCESS

## **Process results are guaranteed throughout:**

- water pressure for washing is supplied by a high powered 600L/min recirculation pump
- detergent is dosed into the re-circulated wash water by a pump
- the unique working principle facilitates cleaning and steam disinfection of the entire system including wash chamber, water tank and outlet with the minimum usage of water and energy
- disinfecting steam is generated by an integrated unpressurised boiler and run through the water tank, outlet and internal pipework
- wide selection of disinfection temperatures and cycle setups to secure the microbial inactivation impact

Cycles can be altered to meet almost any special requirement, though the standard requirements are met with the fixed, tested and approved cycles pre-programmed by the manufacturer.

The access code system protects any unauthorized changes to the set parameters. The washing spray patterns are delivered through 3 rotating + 7 fixed spray jets guaranteeing contact with all surfaces and crevices of items with varying design.

# RELIABLE QUALITY

The DEKO 190 is manufactured of quality polished stainless EN 1.4301 steel, it is easy to keep clean and can withstand continuous use. Galvanised and painted metals and other non-compatible materials are totally avoided in the manufacture of the 190. Special attention has been paid to sound and heat insulation by using the most efficient and environmentally friendly materials.

Durability and reliability in continuous, heavy and busy institutional operating circumstances have been the key factors in the design of the Deko 190.

# TRUSTED VALUE

User and Maintenance Manuals include all relevant details and instructions as required. Any information, advice, personnel training and service calls are attended to with the utmost dedication and urgency. Availability of spares is guaranteed for the minimum of 15 years after date of shipment and the complete programme and software is lodged securely with an independent body.

# SUMMARY OF FEATURES

- 3 rotating + 7 fixed wash jets
- automatic detergent dosage
- indication for insufficient volume of detergent to complete cycle
- integrated detergent container housing
- boss entry port for test temperature sensor leads
- load temperature protection and over temperature cut-outs
- automatic foam and washing water pressure control system
- opaque cold and hot water connection hoses ½" BSP
- drain outlet diameter 90–100 mm
- sound and heat insulated
- vapour condenser
- height adjustable feet
- back syphon Type A air gap protection (when required)
- overall dim. W600xD630xH1460 ±10 mm
- usable wash chamber dim. W480xD360xH640 mm
- powerful circulation water pump, output 600 L/min
- phase indication
- green LED light to indicate successful cycle completion
- fault indication and coded information
- access to regulation of critical process parameter values with authorized person entry code only
- component test mode

## OPTIONS

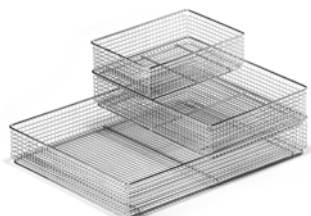
- descale dosage pump
- lockable door for chemical container
- audible cycle end indicator



## Accessories



**381 170**  
Utensil basket with a lid  
340 x 250 x 200 mm



**381 200**  
Instrument tray  
450 x 340 x 70 mm

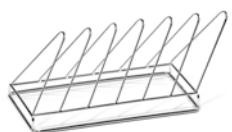
**381 201**  
Lid 450 x 340 mm

**381 210**  
Instrument tray  
340 x 250 x 70 mm

**381 211**  
Lid 340 x 250 mm

**381 220**  
Instrument tray  
250 x 170 x 70 mm

**381 221**  
Lid 250 x 170 mm



**381 685**  
Kidney dish rack - 6



**381 515**  
Peg rack - 12



**381 450**  
Shoe rack - 4 pairs



**381 692**  
Tipping suction bottle insert - 2  
• as per bottle dimensions



**381 682**  
Hose rack - 6



**381 683**  
Insert for Oras shower handles  
and hoses  
• 4 handles and hoses



**381 680**  
Insert for 4 urine bottles



**381 690**  
Suction bottle rack  
• as per given dimensions

# TECHNICAL DATA

## Outer dimensions

Width	600 mm
Depth	630 mm
Height (* H150 mm legs)	1460/*1610 mm
Weight	130 kg
Weight	287 lbs
Gross wash chamber volume	72 L

## Inner dimensions

Chamber height	640 mm
Chamber width	480 mm
Chamber depth	360 mm
Water volume / one cycle phase, excl.disinf.	9 L

## Electricity (1.)

240/400V 3N 50Hz 7.5kW 16A or,  
240/400V 3N 50Hz 6.6kW 10A or,  
120/208V 3N 60Hz 6.6kW 19A  
Further details at request.

## Capacity & effects

Heating power	6.6 or 7.5 kW
Circulation pump 600L/min	1.5 kW
Outlet size diameter in (4.)	90/110 mm
Cold water hose L=2 m (2.)	G1/2"
Hot water hose L=2 m (3.)	G1/2"

Min/Max water pressure 1/8 bar

Min/Max water pressure	15/115 psig
Min/Max steam supply (S-model only)	1-3 bar
Min/Max steam supply (S-model only)	15-45 psig
Steam hose L=1,2 m (S-model only) (5.)	G1/2"
Condense L=1,2 m (S-model only) (6.)	G1/2"
Detergent container housing (7.)	

## Models

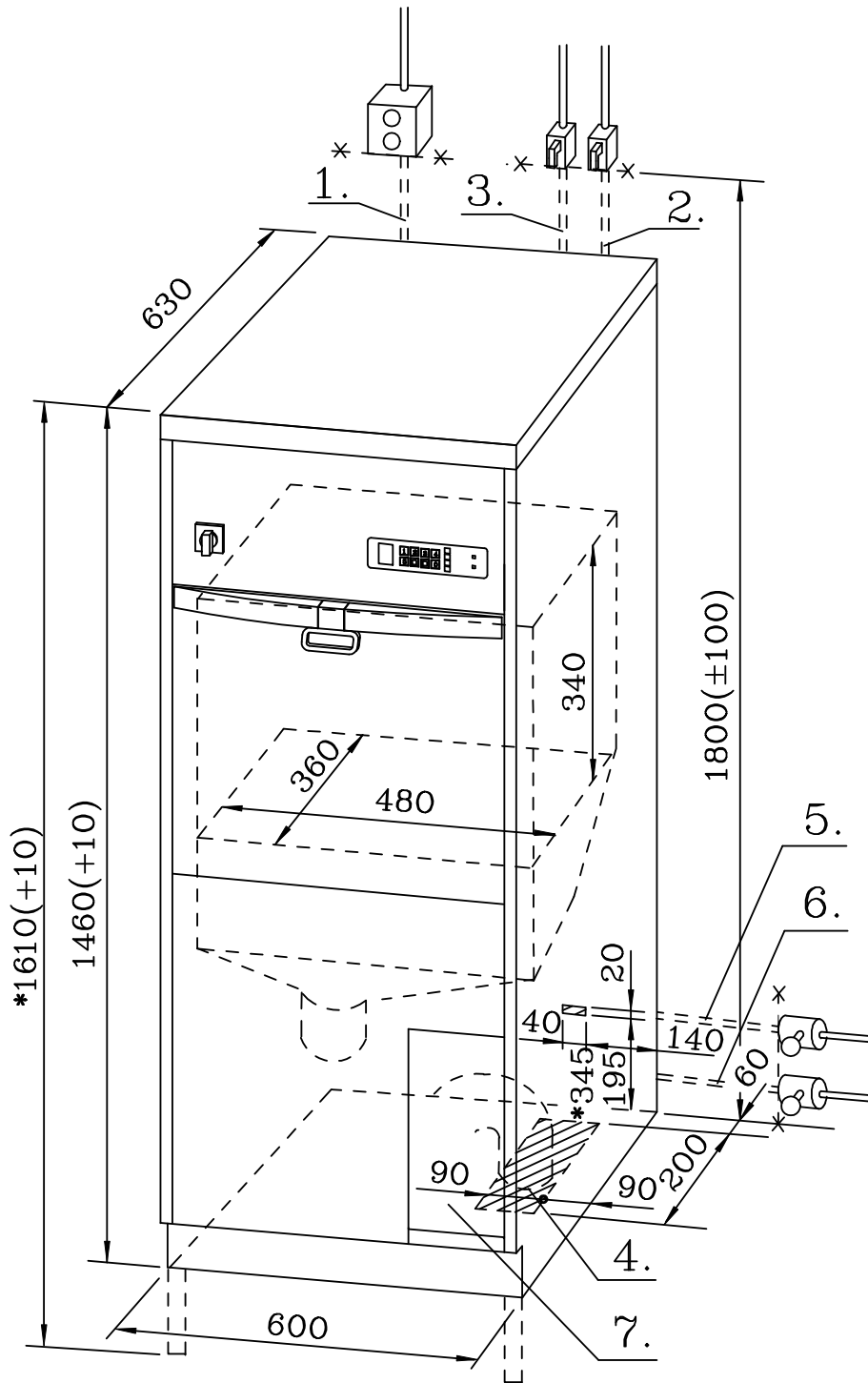
- electrically heated
- steam heated

## Included as standard

- holder for 2 bedpans
- 4 urine bottle nozzles
- fold down wash shelf
- detergent pump

## Certificates / tests / approvals

- ISO 14001
- ISO 13485
- SIS TR-3:2002
- ISO EN 15883-1, 15883-3
- IEC 61010-1
- IEC 61010-2-040
- IEC 61326-1
- CE 0537





Franke Medical Oy  
Vartiokuja 1  
76850 Naarajärvi  
Finland  
Tel. +358 15 34 111  
[www.frankemedical.com](http://www.frankemedical.com)  
[www.dekorange.com](http://www.dekorange.com)  
Email: [ws-medical.fi@franke.com](mailto:ws-medical.fi@franke.com)

